

1. PREPARATION

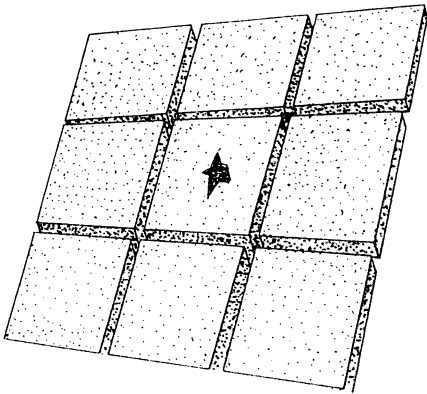
This guide will help you to understand the panel replacement technique. It is a simple task but requires precision.

Material :

- Cutting disk, with grider;
- Screwdriver and pliers;
- Sealant;
- Bench saw

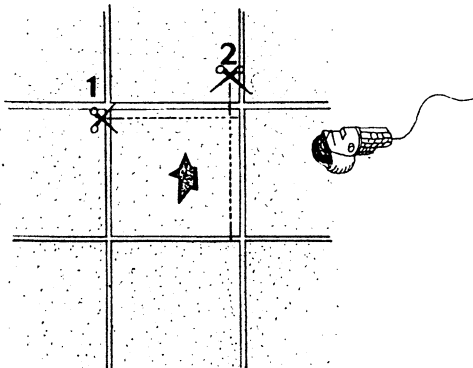
2. REMOVAL

Broken Panel Removal :

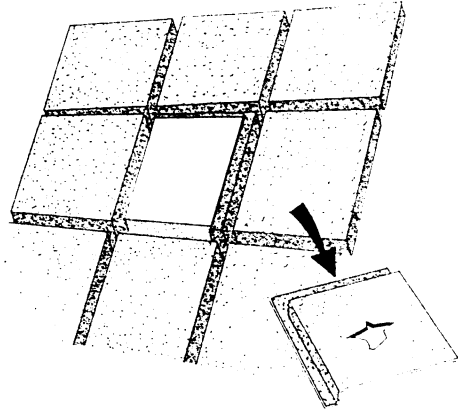


1° Perform horizontal cut 1 cm (1/2") below top joint of broken panel.

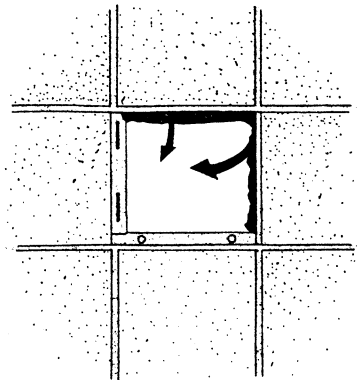
2° Perform vertical cut 1 cm (1/2") inside right side joint of broken panel.



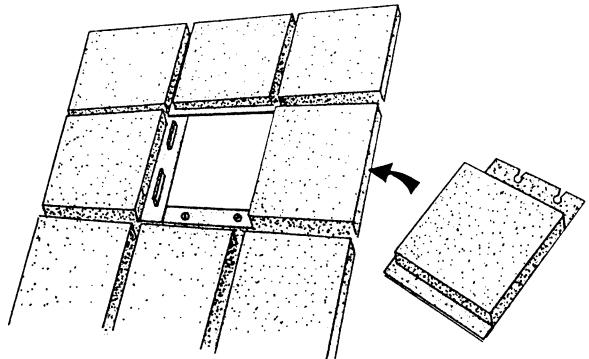
3° By lifting upper right corner, remove broken panel.



4° With screwdriver and pliers, remove both attachment strip and vertical gutter left in place by breaking them. Be sure to keep in place attachment screws to provide support for replacement panel.



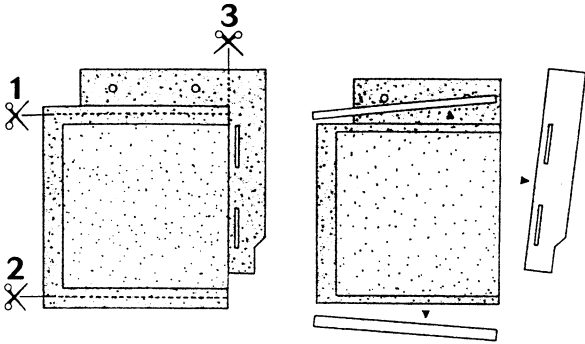
5° The wall is ready to receive the replacement panel.



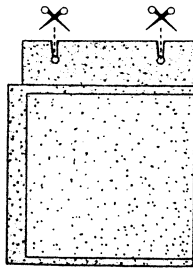
3.

Preparation of new panel and replacement :

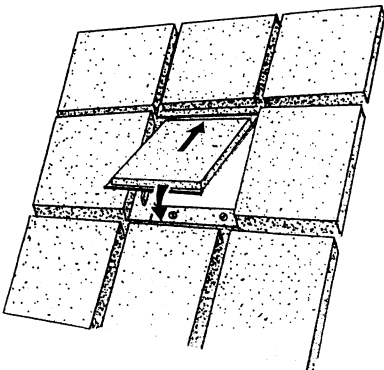
- 1° Reduce top interlocking strip from 8 mm to 5 mm (5/16" to 3/16").
- 2° Reduce bottom interlocking strip from 6 mm to 2 mm (1/4" to 1/16").
- 3° Cut and remove vertical gutter (right side).



- 4° Cut slots at pre-punched holes, in line with attachment screws left in place.

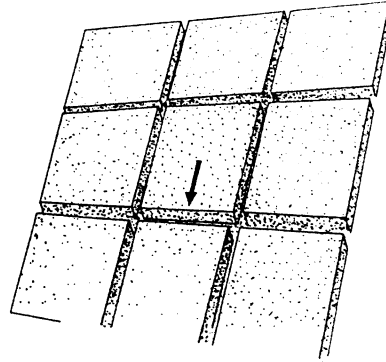


- 5° Slide the fastening strip of replacement panel around the attachment screws. Lift it to its maximum.
- 6° Push replacement panel into its place without forcing it.
- 7° If bottom interlocking strip of replacement panel does not clear the strip of lower panel, then with cutting disk reduce bottom interlocking strip of top panel to provide more space for replacement panel.



- 8° When replacement panel is a perfect fit (without forcing), remove panel and apply sealant on right side of new panel (where vertical gutter used to be) and in the top interlocking strip of lower panel.

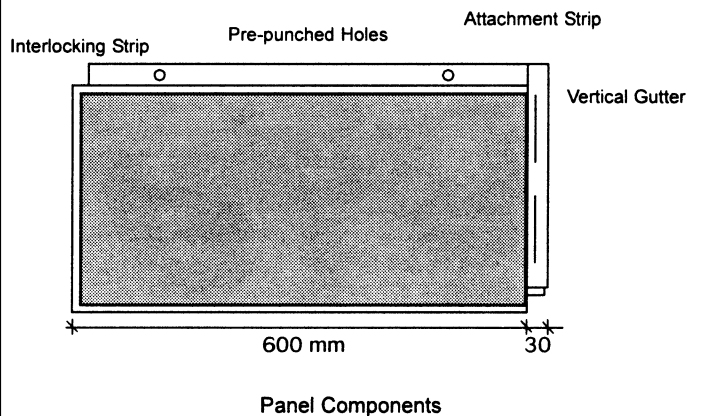
- 9° Put panel back in to place following steps 5 and 6 and slide panel down to touch lower panel and sealant.



- 10° The panel is replaced and the watertightness of the CAREA system preserved.

Notes : 1° The bottom interlocking strip of the replacement panel must not be less than to 2 mm (1/16") for the panel to be held in place.

2° When a panel needs to be cut for installation, use an industrial adhesive or sealant to preserve the watertight properties of the system.



For further information concerning repairs and replacement, please contact the CAREA technical service group or view our web site www.carea.com/technical.